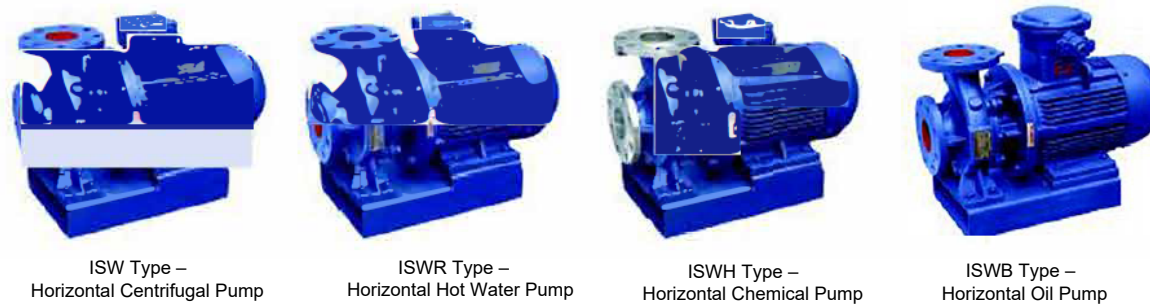


ISW Series Horizontal Single-Stage Centrifugal Pump



Overview

The ISW series horizontal single-stage single-suction centrifugal pumps are newly developed energy-saving and environmentally friendly pumps. Based on different usage conditions such as temperature and medium, derivative models have been developed, including the ISWR for hot water, ISWH for corrosion-resistant chemical applications, and ISWB for oil transfer. These pumps feature optimized performance, high reliability, long service life, and a well-designed structure with an aesthetically pleasing appearance, maintaining an industry-leading standard.

Features

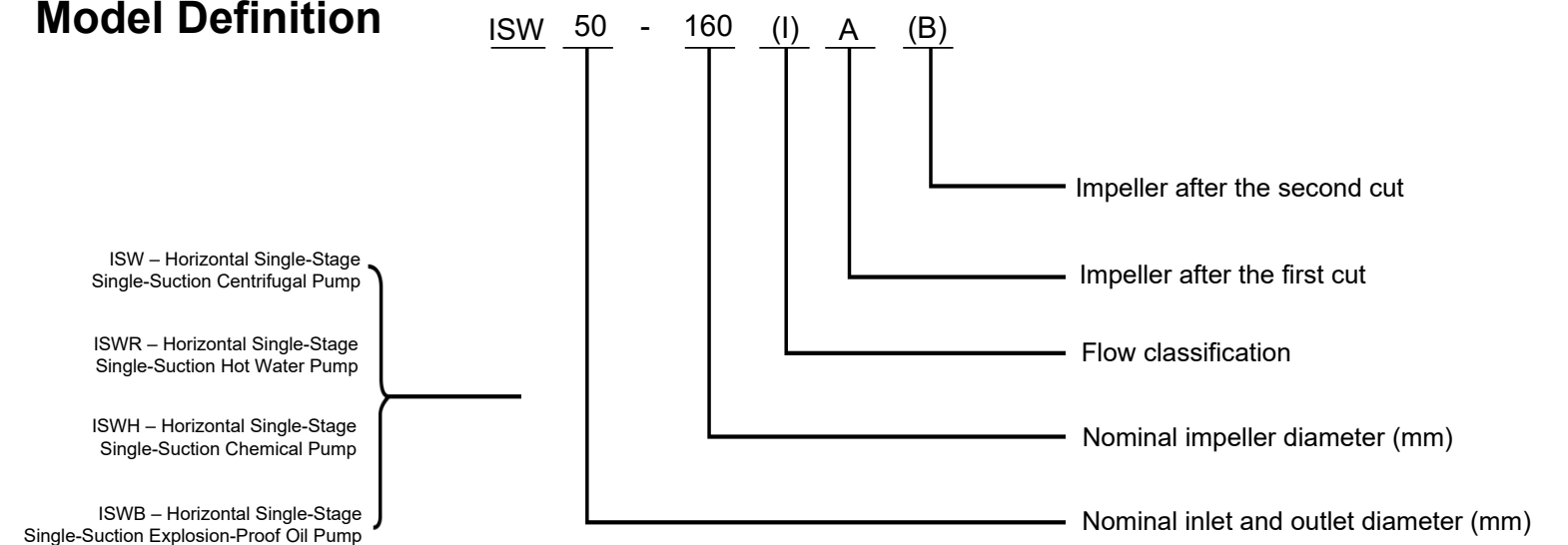
1. The horizontal structure with identical inlet and outlet diameters provides a compact and aesthetically pleasing design. The small footprint reduces construction costs, and with an optional protective cover, it can be used outdoors.
2. The impeller is directly mounted on the extended motor shaft, reducing axial dimensions and ensuring a compact structure. The rational bearing configuration effectively balances the radial and axial loads, resulting in smooth operation with minimal vibration and low noise.
3. The pump employs mechanical seals or a combination of mechanical seals, featuring imported titanium alloy seal rings, high-temperature-resistant mechanical seals, and wear-resistant hard alloy materials, significantly enhancing the service life of the seals.
4. The pump can be serviced without disassembling the pipeline system. Simply remove the pump coupling seat nuts to extract all rotor components.
5. Parallel and series operation can be implemented to meet varying flow and head requirements.
6. The pump outlet can be configured at 0°, 90°, or 180° to accommodate different installation conditions.

Operating Conditions

1. Suction pressure $\leq 1.0\text{MPa}$, or maximum system working pressure $\leq 1.6\text{MPa}$ (i.e., inlet pressure+ head $\leq 1.6\text{MPa}$). Please specify the system working pressure when ordering. If the pressure exceeds 1.6MPa, notify us in advance so that appropriate materials can be used for the pump's flow and connection components.
2. Ambient temperature $< 40^\circ\text{C}$, relative humidity $< 85\%$.
3. The volume content of solid particles in the conveyed medium must not exceed 0.1%, with a particle size of $< 0.2\text{mm}$.
4. Installation at elevations ≤ 1000 meters. If exceeding this limit, please specify when ordering for enhanced product reliability.

Note: If the medium contains fine particles, please specify when ordering so that a wear-resistant mechanical seal can be used.

Model Definition

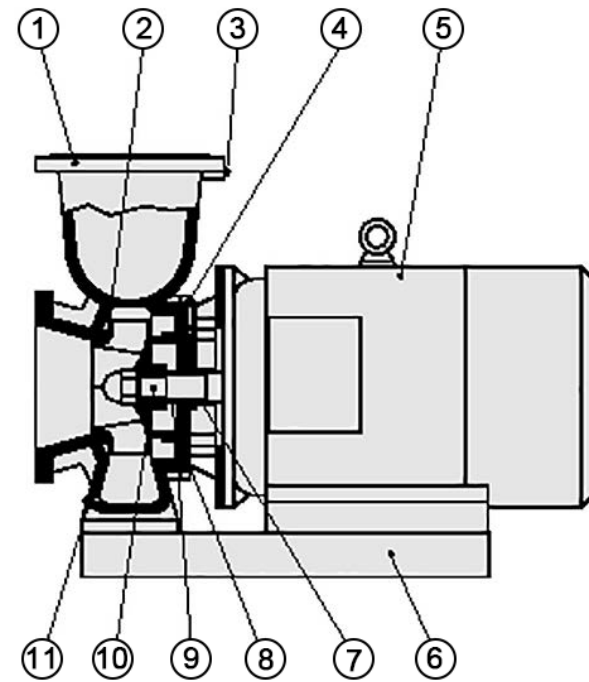


Applications

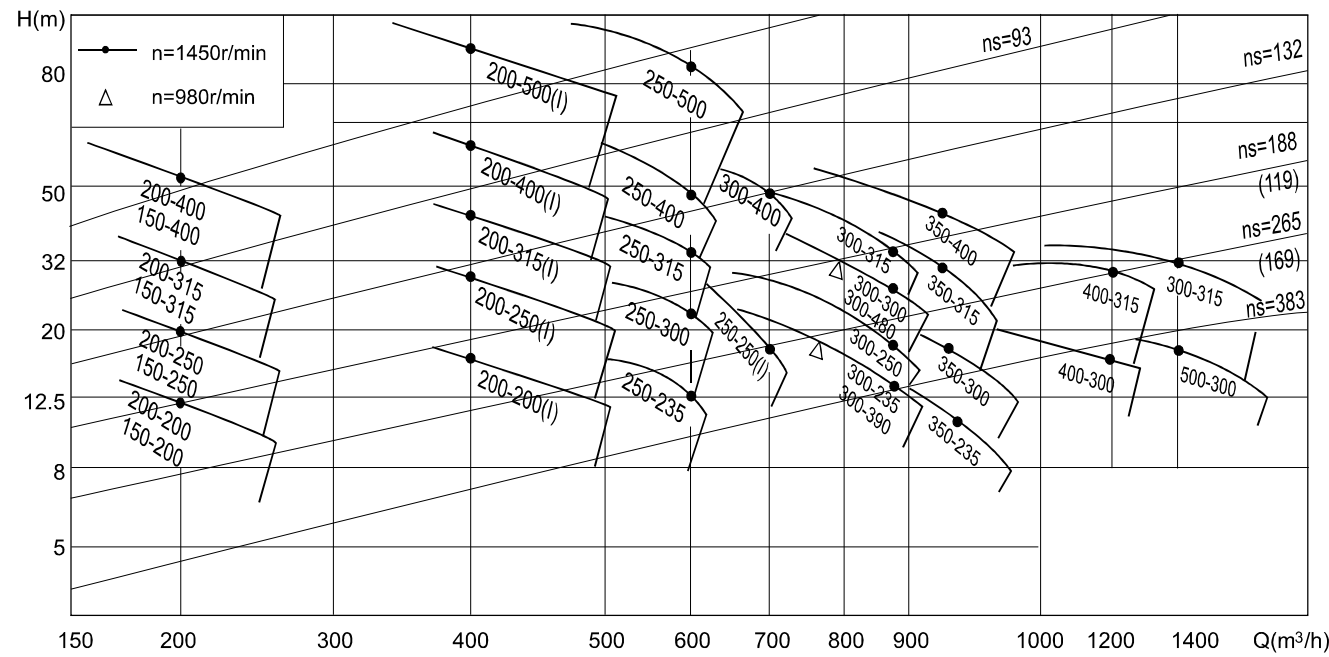
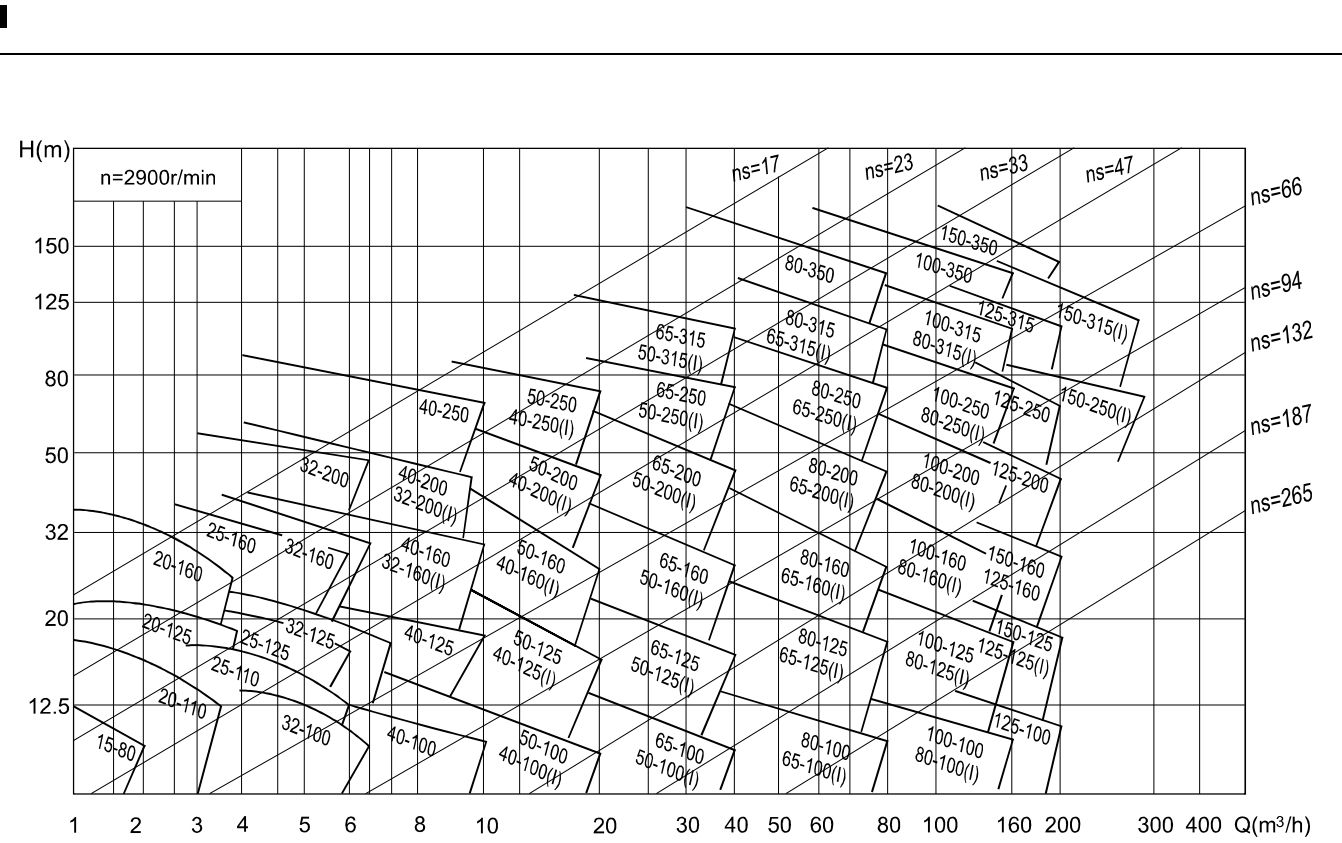
1. ISW Horizontal Centrifugal Pump – Suitable for transporting clean water and other liquids with similar physical and chemical properties. It is widely used in industrial and municipal water supply and drainage, high-rise building water boosting, garden irrigation, fire-fighting pressure boosting, long-distance water transportation, HVAC circulation, bathing water supply, and equipment support. Operating temperature: $\leq 60^\circ\text{C}$.
2. ISWR Horizontal Hot Water Pump – Designed for high-temperature hot water circulation in metallurgy, chemical processing, textiles, woodworking, paper manufacturing, as well as in hotels, baths, and residential heating systems. Operating temperature: $\leq 99^\circ\text{C}$.
3. ISWH Horizontal Chemical Pump – Suitable for transporting corrosive liquids without solid particles, with a viscosity similar to water. Widely used in petroleum, chemical, metallurgy, power generation, paper manufacturing, food, pharmaceuticals, and synthetic fiber industries. Operating temperature: -20°C to $+99^\circ\text{C}$.

4.ISWB Horizontal Explosion-Proof Oil Pump – Designed for transferring petroleum products such as gasoline, kerosene, and diesel. Operating temperature: -20°C to +99°C.

Structural Description



- ① Pump Body – Reduces fluid velocity to convert kinetic energy into pressure energy.
- ② Impeller – The key component, using centrifugal force to propel liquid outward.
- ③ Pressure Tapping Plug – Allows pressure gauge installation to monitor pump operation.
- ④ Air Vent Pipe – Removes trapped air inside the pump to ensure smooth startup.
- ⑤ Y/Y2 Motor – The driving component, directly connected to the pump.
- ⑥ Baseplate – Provides a stable foundation for secure pump installation.
- ⑦ Water Deflector Ring – Prevents leakage from entering the motor.
- ⑧ Pump Cover – Integrated with the motor end cover for a more compact structure.
- ⑨ Mechanical Seal – Made of stainless steel, tungsten carbide, and fluororubber, ensuring excellent sealing performance, long service life, and leak-proof operation.
- ⑩ Pump Shaft – Coaxial with the motor, ensuring high concentricity for smooth, low-noise operation.
- ⑪ Drain Plug – Used to drain residual liquid during maintenance or prolonged shutdown.



Parameters and installation dimensions

Model	Flow		Head H (m)	Effici. η (%)	Speed n (r/min)	Power P (kW)	NPSH (NPSH)r	Weight G (kg)	Dimensions					Base dimensions					Inlet & outlet flanges			Vibration isolation pads	
	(m³/h)	(L/s)							h	H	L	a	A	L1	B	I	b	h1	4-φd1	D	D1		n-φd
25-110	2.8 4.0 5.2	0.78 1.11 1.44	16.0 15.0 13.5	34 42 41	2900	0.55	2.3	26	190	330	400	80	55	320	200	270	100	80	4-φ14	φ115	φ85	4-φ14	SD41-0.5
25-125	2.8 4.0 5.2	0.78 1.11 1.44	20.6 20.0 18.0	28 36 35	2900	0.75	2.3	28	190	330	400	80	55	320	200	270	100	80	4-φ14	φ115	φ85	4-φ14	SD41-0.5
25-125A	2.5 3.6 4.6	0.69 1.00 1.28	17.0 16.0 14.4	29 35 31	2900	0.75	2.3	27	190	330	400	80	55	320	200	270	100	80	4-φ14	φ115	φ85	4-φ14	SD41-0.5
25-160	2.8 4.0 5.2	0.78 1.11 1.44	33 30 24	34 32 23	2900	1.5	2.3	39	210	355	420	80	55	320	200	270	100	80	4-φ14	φ115	φ85	4-φ14	SD41-0.5
25-160A	2.6 3.7 4.9	0.12 1.03 1.36	29 28 26	27 24 29	2900	1.1	2.3	34	210	355	420	80	55	320	200	270	100	80	4-φ14	φ115	φ85	4-φ14	SD41-0.5
32-125	3.5 4.0 5.2	0.97 1.39 1.80	22 20 18	40 44 42	2900	0.75	2.3	28	190	330	400	80	55	320	200	270	100	80	4-φ14	φ140	φ100	4-φ18	SD41-0.5
32-125A	3.1 4.5 5.8	0.86 1.25 1.61	17.6 16.0 14.4	39 43 40	2900	0.55	2.3	28	190	330	400	80	55	320	200	270	100	80	4-φ14	φ140	φ100	4-φ18	SD41-0.5
32-160	4.4 6.3 8.3	1.22 1.75 2.32	32 30 28	40 44 42	2900	1.5	2.3	39	210	370	430	80	55	330	250	280	150	80	4-φ14	φ140	φ100	4-φ18	SD41-0.5
32-160A	2.8 4.0 5.2	0.78 1.11 1.44	27 24 21	31 32 32	2900	1.1	2.0	38	210	370	430	80	55	330	250	280	150	80	4-φ14	φ140	φ100	4-φ18	SD41-0.5
32-200	3.1 4.5 5.8	0.86 1.25 1.61	50.5 44 40	28 32 30	2900	3	2.0	55	240	415	450	80	55	400	250	350	150	80	4-φ14	φ140	φ100	4-φ18	SD61-0.5
32-200A	2.8 4.0 5.2	0.78 1.11 1.44	44.6 44 42.7	34 40 42	2900	2.2	2.0	74	240	415	450	80	55	380	250	330	150	80	4-φ14	φ140	φ100	4-φ18	SD61-0.5
32-160(I)	4.4 6.3 8.3	1.22 1.75 2.32	33.2 32 30.2	34 40 42	2900	2.2	2.0	47	210	370	450	80	55	360	250	310	150	80	4-φ14	φ140	φ100	4-φ18	SD61-0.5
32-200(I)	4.4 6.3 8.3	1.22 1.75 2.32	50.5 50 48.0	26 33 35	2900	4	2.0	43	210	415	450	80	55	410	260	360	160	80	4-φ14	φ140	φ100	4-φ18	SD61-0.5
40-100	4.4 6.3 8.3	1.22 1.75 2.32	13.2 11.3 9.0	48 53 50	2900	0.55	2.3	32	180	310	460	80	55	320	200	270	100	80	4-φ14	φ150	φ110	4-φ18	SD61-0.5
40-100A	3.9 5.6 7.4	1.08 1.56 2.06	10.6 10.0 9.0	48 52 50	2900	0.37	2.3	32	180	310	460	80	55	320	200	270	100	80	4-φ14	φ150	φ110	4-φ18	SD61-0.5
40-125	4.4 6.3 8.3	1.22 1.75 2.31	21 20 18	41 46 43	2900	1.1	2.3	34	190	330	460	80	55	330	200	280	100	80	4-φ14	φ150	φ110	4-φ18	SD41-0.5
40-125A	3.9 5.6 7.4	1.08 1.56 2.06	17.6 16 14.4	40 45 41	2900	0.75	2.3	33	190	330	460	80	55	330	200	280	100	80	4-φ14	φ150	φ110	4-φ18	SD41-0.5
40-160	4.4 6.3 8.3	1.22 1.75 2.31	33 32 30	35 40 40	2900	2.2	2.3	47	210	370	520	80	55	360	250	310	150	80	4-φ14	φ150	φ110	4-φ18	SD61-0.5
40-160A	4.1 5.9 7.8	1.14 1.64 2.17	29 28 26.3	34 39 39	2900	1.5	2.3	43	210	370	500	80	55	330	250	280	150	80	4-φ14	φ150	φ110	4-φ18	SD61-0.5
40-160B	3.9 5.6 7.2	1.08 1.53 2.0	25.5 22.5 22.5	34 38 37	2900	1.1	2.3	38	210	370	480	80	55	330	250	280	150	80	4-φ14	φ150	φ110	4-φ18	SD61-0.5
40-200	4.4 6.3 8.3	1.22 1.75 2.31	51 50 48	26 33 32	2900	4	2.3	74	210	425	565	80	55	410	260	360	160	80	4-φ14	φ150	φ110	4-φ18	SD61-0.5
40-200A	4.1 5.9 7.8	1.14 1.64 2.17	45 44 41.3	26 31 30	2900	3	2.3	62	240	425	545	80	55	400	250	350	150	80	4-φ14	φ150	φ110	4-φ18	SD61-0.5
40-200B	3.7 5.3 7.0	1.03 1.47 1.94	38 36 34.5	25 29 27	2900	2.2	2.3	105	240	425	510	80	55	380	250	330	150	80	4-φ14	φ150	φ110	4-φ18	SD61-0.5
40-250	4.4 6.3 8.3	1.22 1.75 2.31	82 80 74	24 28 28	2900	7.5	2.3	52	260	465	640	80	55	450	330	400	230	80	4-φ14	φ150	φ110	4-φ18	SD61-0.5
40-250A	4.1 5.9 7.8	1.14 1.64 2.17	72 70 65	24 28 27	2900	5.5	2.3	98	260	465	640	80	55	450	330	400	230	80	4-φ14	φ150	φ110	4-φ18	SD61-0.5
40-250B	3.8 5.5 7.0	1.06 1.53 1.94	61.5 60 56	23 27 26	2900	4	2.3	77	260	465	575	80	55	420	330	370	230	80	4-φ14	φ150	φ110	4-φ18	SD41-0.5
40-100(I)	8.8 12.5 16.3	2.44 3.47 4.53	13.2 12.5 11.3	55 62 60	2900	1.1	2.3	34	180	320	470	80	55	320	200	270	100	80	4-φ14	φ150	φ110	4-φ18	SD41-0.5
40-100(I)A	8.0 11.0 14.5	2.22 3.05 4.03	17.0 16.0 14.0	53 57 59	2900	0.75	2.3	32	180	320	470	80	55	320	200	270	100	80	4-φ14	φ150	φ110	4-φ18	SD41-0.5
40-125(I)	8.8 12.5 16.3	2.44 3.47 4.53	21.2 20.0 17.8	49 58 57	2900	1.5	2.3	38	190	340	480	80	55	330	200	280	100	80	4-φ14	φ150	φ110	4-φ18	SD41-0.5
40-125(I)A	8.0 11.0 14.5	2.22 3.05 4.03	17.0 16.0 14.0	53 57 55	2900	1.1	2.3	33	190	340	465	80	55	330	200	280	100	80	4-φ14	φ150	φ110	4-φ18	SD61-0.5
40-160(I)	8.8 12.5 16.3	2.44 3.47 4.53	33 32 30	45 52 51	2900	3	2.3	56	210	370	560	80	55	400	250	350	150	80	4-φ14	φ150	φ110	4-φ18	SD61-0.5
40-160(I)A	8.2 11.7 15.2	2.28 3.25 4.22	29 28 26	44 51 50	2900	2.2	2.3	47	210	370	525	80	55	380	250	330	150	80	4-φ14	φ150	φ110	4-φ18	SD61-0.5
40-160(I)B	7.3 10.4 13.5	2.38 3.29 4.25	23 20.5 20.5	50 57 57	2900	1.5	2.3	43	210	370	500	80	55	350	250	300	150	80	4-φ14	φ150	φ110	4-φ18	SD61-0.5
40-200(I)	8.8 12.5 16.3	2.44 3.47 4.53	51.2 48 46	38 46 46	2900	5.5	2.3	85	240	420	645	80	55	440	290	390	190	80	4-φ14	φ150	φ110	4-φ18	SD61-0.5
40-200(I)A	8.3 11.7 15.3	2.31 3.25 4.25	45.0 44 45	37 45 45	2900	4	2.3	75	240	420	580	80	55	410	290	360	190	80	4-φ14	φ150	φ110	4-φ18	SD61-0.5
40-200(I)B	7.5 10.4 13.8	2.98 3.94 5.13	37 36 34	44 45 44	2900	3	2.3	63	240	420	560	80	55	400	290	350	190	80	4-φ14	φ150	φ110	4-φ18	SD61-0.5

Parameters and installation dimensions

Model	Flow		Head H (m)	Effici. η (%)	Speed n (r/min)	Power P (kW)	NPSH (NPSH)r	Weight G (kg)	Dimensions					Base dimensions					Inlet & outlet flanges			Vibration isolation pads	
	(m ³ /h)	(L/s)							h	H	L	a	A	L ₁	B	I	b	h ₁	4- ϕ d ₁	D	D ₁		n- ϕ d
40-250(I)	8.8 12.5 16.3	2.44 3.47 4.53	81.2 77.5 70	31 38 40	2900	11	2.3	145	280	500	790	100	65	560	340	510	240	100	4- ϕ 18	ϕ 150	ϕ 110	4- ϕ 18	JG2-1
40-250(I)A	8.2 11.6 15.2	2.28 3.22 4.22	71.0 68 61.4	38	2900	7.5	2.3	95	260	480	660	100	65	470	320	420	220	80	4- ϕ 14	ϕ 150	ϕ 110	4- ϕ 18	SD61-0.5
40-250(I)B	7.6 10.8 14	2.11 3.0 3.99	61.4 60 58	37	2900	5.5	2.3	94	260	480	660	100	65	470	320	420	220	80	4- ϕ 14	ϕ 150	ϕ 110	4- ϕ 18	SD61-0.5
40-250(I)C	7.1 10.0 13.1	1.97 2.78 3.64	53.2 52 50.4	36	2900	5.5	2.3	88	260	480	660	100	65	440	320	390	220	80	4- ϕ 14	ϕ 150	ϕ 110	4- ϕ 18	SD61-0.5
50-100	8.8 12.5 16.3	2.44 3.47 4.53	13.6 12.5 11.3	55 62 60	2900	1.1	2.3	36	180	330	465	80	55	320	200	270	100	80	4- ϕ 14	ϕ 165	ϕ 125	4- ϕ 18	SD61-0.5
50-100A	8 11 14.5	2.22 3.05 4.03	11 10.5 10	60	2900	0.75	2.3	35	180	330	465	80	55	320	200	270	100	80	4- ϕ 14	ϕ 165	ϕ 125	4- ϕ 18	SD61-0.5
50-125	8.8 12.5 16.3	2.44 3.47 4.53	21.5 20 18	49 58 57	2900	1.5	2.3	43	190	340	475	80	55	330	200	280	100	80	4- ϕ 14	ϕ 165	ϕ 125	4- ϕ 18	SD61-0.5
50-125A	8 11 14.5	2.22 3.05 4.03	17 16 14	57	2900	1.1	2.3	38	190	340	460	80	55	330	200	280	100	80	4- ϕ 14	ϕ 165	ϕ 125	4- ϕ 18	SD61-0.5
50-160	8.8 12.5 16.3	2.44 3.47 4.53	33 32 30	45 51 51	2900	3	2.3	59	210	370	560	80	55	400	250	350	150	80	4- ϕ 14	ϕ 165	ϕ 125	4- ϕ 18	SD61-0.5
50-160A	8.2 11.7 15.2	2.28 3.25 4.22	29 28 26	44 51 50	2900	2.2	2.3	51	210	370	525	80	55	380	250	330	150	80	4- ϕ 14	ϕ 165	ϕ 125	4- ϕ 18	SD61-0.5
50-160B	7.3 10.4 13.5	2.38 2.99 3.75	23 22 20.5	50	2900	1.5	2.3	47	210	370	500	80	55	350	250	300	150	80	4- ϕ 14	ϕ 165	ϕ 125	4- ϕ 18	SD61-0.5
50-200	8.8 12.5 16.3	2.44 3.47 4.53	52 50 48	38 46 46	2900	5.5	2.3	101	240	420	645	80	55	440	290	390	190	80	4- ϕ 14	ϕ 165	ϕ 125	4- ϕ 18	SD61-0.5
50-200A	8.3 11.7 15.3	2.31 3.25 4.25	45.8 44 42	37 45 45	2900	4	2.3	80	240	420	580	80	55	410	290	360	190	80	4- ϕ 14	ϕ 165	ϕ 125	4- ϕ 18	SD61-0.5
50-200B	7.5 10.6 13.8	2.08 2.94 3.83	37 36 34	44	2900	3	2.3	68	240	420	560	80	55	400	290	350	190	80	4- ϕ 14	ϕ 165	ϕ 125	4- ϕ 18	SD61-0.5
50-250	8.8 12.5 16.3	2.44 3.47 4.53	82 80 77.5	29 38 40	2900	11	2.3	160	280	500	790	100	65	560	340	510	240	100	4- ϕ 18	ϕ 165	ϕ 125	4- ϕ 18	JG2-1
50-250A	8.2 11.6 15.2	2.28 3.22 4.22	71.5 68 60	38	2900	7.5	2.3	115	260	480	660	100	65	470	320	420	220	80	4- ϕ 14	ϕ 165	ϕ 125	4- ϕ 18	SD61-0.5
50-250B	7.6 10.8 14	2.11 3.0 3.99	61.4 60 58	37	2900	5.5	2.3	114	260	480	660	100	65	470	320	420	220	80	4- ϕ 14	ϕ 165	ϕ 125	4- ϕ 18	SD61-0.5
50-250C	7.1 10.0 13.1	1.97 2.78 3.64	53.2 52 50.4	36	2900	5.5	2.3	108	260	480	660	100	65	440	320	390	220	80	4- ϕ 14	ϕ 165	ϕ 125	4- ϕ 18	SD61-0.5
50-100(I)	17.5 25 32.5	4.86 6.94 9.03	13.7 12.5 10.5	67 69 69	2900	1.5	2.5	41	190	350	480	80	55	340	200	290	100	80	4- ϕ 14	ϕ 165	ϕ 125	4- ϕ 18	SD61-0.5
50-100(I)A	15.6 22.3 29	4.3 6.19 8.1	11 10 8.4	65 68 68	2900	1.1	2.5	36	190	350	465	80	55	330	200	280	100	80	4- ϕ 14	ϕ 165	ϕ 125	4- ϕ 18	SD61-0.5
50-125(I)	17.5 25 32.5	4.86 6.94 9.03	21.5 20 18	60 68 67	2900	3	2.5	56	190	360	565	80	55	400	220	350	120	80	4- ϕ 14	ϕ 165	ϕ 125	4- ϕ 18	SD61-0.5
50-125(I)A	15.6 22.3 29	4.3 6.19 8.1	13.6 13.6 13.6	66 66 65	2900	2.2	2.5	48	190	360	530	80	55	370	220	320	120	80	4- ϕ 14	ϕ 165	ϕ 125	4- ϕ 18	SD61-0.5
50-160(I)	17.5 25 32.5	4.86 6.94 9.03	34.4 32 30	63 63 60	2900	4	2.5	72	210	395	580	80	55	410	260	360	160	80	4- ϕ 14	ϕ 165	ϕ 125	4- ϕ 18	SD61-0.5
50-160(I)A	16.4 23.4 30.4	4.56 6.5 8.44	30 28 24	54 62 59	2900	3	2.5	71	210	395	580	80	55	400	250	350	150	80	4- ϕ 14	ϕ 165	ϕ 125	4- ϕ 18	SD61-0.5
50-160(I)B	15.0 21.6 28	4.17 6.0 7.78	26 24 20.6	58	2900	3	2.5	59	210	395	550	80	55	380	250	330	150	80	4- ϕ 14	ϕ 165	ϕ 125	4- ϕ 18	SD61-0.5
50-200(I)	17.5 25 32.5	4.86 6.94 9.03	52.7 50 45.5	49 58 59	2900	7.5	2.5	108	245	430	645	100	70	440	290	390	190	80	4- ϕ 14	ϕ 165	ϕ 125	4- ϕ 18	SD61-0.5
50-200(I)A	16.4 23.5 30.5	4.56 6.53 8.47	46.4 44 40	48 57 58	2900	7.5	2.5	107	245	430	645	100	70	440	290	390	190	80	4- ϕ 14	ϕ 165	ϕ 125	4- ϕ 18	SD61-0.5
50-200(I)B	15.2 21.8 28.3	4.22 6.08 7.86	40 38 34.5	55	2900	5.5	2.5	100	245	430	645	100	70	410	280	360	180	80	4- ϕ 14	ϕ 165	ϕ 125	4- ϕ 18	SD61-0.5
50-250(I)	17.5 25 32.5	4.86 6.94 9.03	82 80 76.5	39 48 52	2900	15	2.5	175	280	520	800	100	65	560	330	510	230	100	4- ϕ 18	ϕ 165	ϕ 125	4- ϕ 18	JG2-1
50-250(I)A	16.4 23.4 30.5	4.56 6.5 8.44	71.5 70 67	39 50 57	2900	11	2.5	165	280	520	800	100	65	560	330	510	230	100	4- ϕ 18	ϕ 165	ϕ 125	4- ϕ 18	JG2-1
50-250(I)B	15 21.6 28	4.17 6.0 7.78	61 60 57.4	38 49 54	2900	7.5	2.5	165	260	500	800	100	65	470	330	420	230	80	4- ϕ 14	ϕ 165	ϕ 125	4- ϕ 18	JG2-1
50-315(I)	17.5 25 32.5	4.86 6.94 9.03	128 125 122	30 40 44	2900	30	2.5	310	300	570	930	125	100	700	390	620	290	100	4- ϕ 20	ϕ 165	ϕ 125	4- ϕ 18	JG2-2
50-315(I)A	16.6 23.7 31	4.61 6.5 8.6	115 113 110	30 40 34	2900	22	2.5	245	300	570	865	125	85	620	360	570	260	100	4- ϕ 18	ϕ 165	ϕ 125	4- ϕ 18	JG2-2
50-315(I)B	15.7 22.5 29.2	4.36 6.25 8.0	103 101 98	39 49 44	2900	18.5	2.5	215	300	570	840	125	85	620	360	570	260	100	4- ϕ 18	ϕ 165	ϕ 125	4- ϕ 18	JG2-2
50-315(I)C	14.4 20.6 26.8	4.0 5.72 7.44	86 85 83	38	2900	15	2.5	195	300	570	795	125	85	570	360	520	260	100	4- ϕ 18	ϕ 165	ϕ 125	4- ϕ 18	JG2-2
65-100	17.5 25 32.5	4.86 6.94 9.03	13.7 12.5 10.5	67 69 69	2900	1.5	2.5	46	190	350	480	80	55	340	200	290	100	80	4- ϕ 14	ϕ 185	ϕ 145	4- ϕ 18	SD41-0.5

Parameters and installation dimensions

Model	Flow		Head H (m)	Effici. η (%)	Speed n (r/min)	Power P (kW)	NPSH (NPSH)r	Weight G (kg)	Dimensions					Base dimensions					Inlet & outlet flanges			Vibration isolation pads	
	(m ³ /h)	(L/s)							h	H	L	a	A	L ₁	B	I	b	h ₁	4- ϕ d ₁	D	D ₁		n- ϕ d
65-100A	15.6 22.3 29	4.3 6.19 8.1	11 10 8.4	65 67 68	2900	1.1	2.5	41	190	350	465	80	55	330	200	280	100	80	4- ϕ 14	ϕ 185	ϕ 145	4- ϕ 18	SD41-0.5
65-125	17.5 25 32.5	4.86 6.94 9.03	21.5 20 18	60 68 67	2900	3	2.5	58	190	360	560	80	55	400	220	350	120	80	4- ϕ 14	ϕ 185	ϕ 145	4- ϕ 18	SD61-0.5
65-125A	15.6 22.3 29	4.33 6.19 8.1	17 16 14.4	58 66 65	2900	2.2	2.5	49	190	360	525	80	55	370	220	340	120	80	4- ϕ 14	ϕ 185	ϕ 145	4- ϕ 18	SD61-0.5
65-160	17.5 25 32.5	4.86 6.94 9.03	34.4 32 30	63 63 60	2900	4	2.5	75	210	395	580	80	55	410	260	360	160	80	4- ϕ 14	ϕ 185	ϕ 145	4- ϕ 18	SD61-0.5
65-160A	16.4 23.4 30.4	4.56 6.5 8.44	30 28 24	54 62 59	2900	3	2.5	75	210	395	580	80	55	400	250	350	150	80	4- ϕ 14	ϕ 185	ϕ 145	4- ϕ 18	SD61-0.5
65-160B	15.0 21.6 28	4.17 6.0 7.78	26 24 20.6	58	2900	2.2	2.5	63	210	395	560	80	55	380									

Parameters and installation dimensions

Model	Flow		Head H (m)	Effici... η (%)	Speed n (r/min)	Power P (kW)	NPSH (NPSH)r	Weight G (kg)	Dimensions					Base dimensions				Inlet & outlet flanges			Vibration isolation pads		
	(m³/h)	(L/s)							h	H	L	a	A	L1	B	I	b	h1	4-φd1	D		D1	n-φd
80-125A	31.3 45 58	8.7 12.5 16.1	17.5 16 13.6	66 71 69	2900	4	3.0	79	215	400	595	100	65	420	260	370	160	80	4-φ14	φ200	φ160	8-φ18	SD60-0.5
80-160	35 50 65	9.72 13.9 18.1	35 32 28	63 71 70	2900	7.5	3.0	105	240	440	655	100	80	440	290	390	190	80	4-φ14	φ200	φ160	8-φ18	SD60-0.5
80-160A	32.7 46.7 61	9.1 13.0 16.9	30.6 28 24	62 70 69	2900	5.5	3.0	105	240	440	655	100	80	440	290	390	190	80	4-φ14	φ200	φ160	8-φ18	SD60-0.5
80-160B	30.3 43.3 56.3	8.4 12.0 15.6	26 24 21	69	2900	4	3.0	98	240	440	655	100	80	410	280	360	180	80	4-φ14	φ200	φ160	8-φ18	SD60-0.5
80-200	35 50 65	9.72 13.9 18.1	53.5 50 46	55 67 68	2900	15	3.0	175	300	470	795	105	75	560	330	510	230	100	4-φ18	φ200	φ160	8-φ18	JG2-1
80-200A	32.8 47 61	9.1 13.1 16.9	46 44 40	54 66 67	2900	11	3.0	165	300	470	795	105	75	560	330	510	230	100	4-φ18	φ200	φ160	8-φ18	JG2-1
80-200B	30.5 43.5 56.6	8.5 12.1 15.7	40.6 38 33.4	65	2900	7.5	3.0	115	280	450	665	105	75	470	290	420	190	80	4-φ14	φ200	φ160	8-φ18	JG2-1
80-250	35 50 65	9.72 13.9 18.1	83 80 72	52 59 60	2900	22	3.0	240	280	520	870	125	85	620	360	570	260	100	4-φ18	φ200	φ160	8-φ18	JG2-2
80-250A	32.5 46.7 61	9.0 13.0 16.9	73 70 63	52 59 60	2900	18.5	3.0	210	280	520	850	125	85	620	340	570	240	100	4-φ18	φ200	φ160	8-φ18	JG2-2
80-250B	30 43.3 56	8.3 12.0 15.6	62 60 54	58	2900	15	3.0	185	280	520	805	125	85	570	330	520	230	100	4-φ18	φ200	φ160	8-φ18	JG2-2
80-315	35 50 65	9.72 13.9 18.1	128 125 122	43 54 57	2900	37	3.0	355	325	620	995	125	85	700	400	650	300	100	4-φ18	φ200	φ160	8-φ18	JG2-2
80-315A	32.5 46.5 60.5	9.0 12.9 16.8	112.6 110 107.4	43 54 57	2900	30	3.0	340	325	620	995	125	85	700	400	650	300	100	4-φ18	φ200	φ160	8-φ18	JG2-2
80-315B	31 44.5 58	8.6 12.4 16.1	102.5 100 98	53	2900	30	3.0	340	325	620	995	125	85	700	400	650	300	100	4-φ18	φ200	φ160	8-φ18	JG2-2
80-315C	29 41 54	8.1 11.4 14.9	98 85 83	51	2900	22	3.0	275	325	620	880	125	85	620	380	570	280	100	4-φ18	φ200	φ160	8-φ18	JG2-2
80-350	35 50 65	9.72 13.9 18.1	146 150 142	55 66 67	2900	55	3.0	570	325	650	1250	130	90	830	500	750	300	100	4-φ22	φ200	φ160	8-φ18	JG3-1
80-350A	31 44.5 58	8.6 12.4 16.1	138.4 142 134.8	65	2900	45	3.0	470	325	650	1100	130	90	750	450	670	250	100	4-φ20	φ200	φ160	8-φ18	JG3-1
80-350B	29 41 53.6	8.1 11.4 14.9	131.4 135 127.8	63	2900	37	3.0	440	325	650	1100	130	90	730	400	650	200	100	4-φ20	φ200	φ160	8-φ18	JG3-1
80-100(I)	70 100 130	19.4 27.8 36.1	13.6 12.5 11	66 76 75	2900	5.5	4.5	108	235	465	670	105	65	470	290	420	190	80	4-φ14	φ200	φ160	8-φ18	SD60-0.5
80-100(I)A	62.6 89 116	17.4 24.7 32.2	11 10 8	64 74 74	2900	4	4.5	87	235	465	605	105	65	440	290	390	190	80	4-φ14	φ200	φ160	8-φ18	SD60-0.5
80-125(I)	70 100 130	19.4 27.8 36.1	23.5 20 14	70 76 65	2900	11	4.5	163	260	480	795	105	65	560	330	510	230	100	4-φ18	φ200	φ160	8-φ18	JG2-1
80-125(I)A	62.6 89 116	17.4 24.7 32.2	19 16 11	68 74 65	2900	7.5	4.5	113	240	460	665	105	65	470	290	420	190	80	4-φ14	φ200	φ160	8-φ18	JG2-1
80-160(I)	70 100 130	19.4 27.8 36.1	36.5 32 24	70 76 65	2900	15	4.5	184	260	510	810	100	65	560	330	510	230	100	4-φ18	φ200	φ160	8-φ18	JG2-1
80-160(I)A	65.4 93.5 121.6	18.2 26.0 33.8	32 28 21	68 74 67	2900	11	4.5	174	260	510	810	100	65	560	330	510	230	100	4-φ18	φ200	φ160	8-φ18	JG2-1
80-160(I)B	60.6 86.6 112.5	16.8 24.1 31.3	22 24 18	72	2900	7.5	4.5	174	240	490	810	100	65	470	290	420	190	80	4-φ14	φ200	φ160	8-φ18	JG2-1
80-200(I)	70 100 130	19.4 27.8 36.1	54 50 42	65 74 73	2900	22	4.0	251	280	520	875	105	65	620	360	570	260	100	4-φ18	φ200	φ160	8-φ18	JG2-2
80-200(I)A	65.4 93.5 121.6	18.2 26.0 33.8	47.5 44 37	64 73 72	2900	18.5	4.0	220	280	520	855	105	65	620	340	570	240	100	4-φ18	φ200	φ160	8-φ18	JG2-2
80-200(I)B	61 87 113	16.9 24.2 31.4	41 38 32	71	2900	15	4.0	198	280	520	810	105	65	570	330	520	230	100	4-φ18	φ200	φ160	8-φ18	JG2-2
80-250(I)	70 100 130	19.4 27.8 36.1	87 80 68	62 69 68	2900	37	4.0	330	300	580	990	125	70	720	400	670	300	100	4-φ20	φ200	φ160	8-φ18	JG2-2
80-250(I)A	65.4 93.5 121.6	18.2 26.0 33.8	68 70 59.5	61 68 67	2900	30	4.0	315	300	580	990	125	70	720	400	670	300	100	4-φ20	φ200	φ160	8-φ18	JG2-2
80-250(I)B	61 87 113	16.9 24.2 31.4	65 60 51	66	2900	22	4.0	315	300	580	990	125	70	640	380	590	280	100	4-φ18	φ200	φ160	8-φ18	JG2-2
80-315(I)	70 100 130	19.4 27.8 36.1	132 125 114	55 66 67	2900	75	4.0	675	325	650	1210	125	85	900	560	820	360	100	4-φ22	φ200	φ160	8-φ18	JG3-1
80-315(I)A	66.5 95 123.6	18.5 26.4 34.3	113 113 103	66 66 67	2900	55	4.0	535	325	650	1140	125	90	820	500	740	300	100	4-φ20	φ200	φ160	8-φ18	JG3-1
80-315(I)B	63 90 117	17.5 25 32.5	106.6 101 92	65	2900	45	4.0	420	325	650	1055	125	90	750	430	670	230	100	4-φ20	φ200	φ160	8-φ18	JG3-1
80-315(I)C	58 82 107	16.1 22.8 29.7	90 85 76	63	2900	37	4.0	366	325	650	1015	125	75	720	400	670	300	100	4-φ20	φ200	φ160	8-φ18	JG3-1
100-100	70 100 130	19.4 27.8 36.1	13.6 12.5 11	66 76 75	2900	5.5	4.5	113	235	465	670	105	65	470	290	420	190	80	4-φ14	φ220	φ180	8-φ18	SD61-0.5
100-100A	62.6 89 116	17.4 24.7 32.2	11 10 8	64 74 74	2900	4	4.5	91	235	465	605	105	65	440	290	390	190	80	4-φ14	φ220	φ180	8-φ18	SD61-0.5

Parameters and installation dimensions

Model	Flow		Head H (m)	Effici... η (%)	Speed n (r/min)	Power P (kW)	NPSH (NPSH)r	Weight G (kg)	Dimensions					Base dimensions				Inlet & outlet flanges			Vibration isolation pads		
	(m³/h)	(L/s)							h	H	L	a	A	L1	B	I	b	h1	4-φd1	D		D1	n-φd
100-125	70 100 130	19.4 27.8 36.1	23.5 20 14	70 76 65	2900	11	4.5	169	260	480	795	105	65	560	330	510	230	100	4-φ18	φ220	φ180	8-φ18	JG2-1
100-125A	62.6 89 116	17.4 24.7 32.2	19 16 11	68 74 63	2900	7.5	4.5	118	240	460	665	105	65	470	290	420	190	80	4-φ14	φ220	φ180	8-φ18	JG2-1
100-160	70 100 130	19.4 27.8 36.1	36.5 32 24	70 76 65	2900	15	4.5	191	260	510	810	100	65	560	330	510	230	100	4-φ18	φ220	φ180	8-φ18	JG2-1
100-160A	65.4 93.5 121.6	18.2 26.0 33.8	32 28 21	68 74 67	2900	11	4.5	181	260	510	810	100	65	560	330	510	230	100	4-φ18	φ220	φ180	8-φ18	JG2-1
100-160B	60.6 86.6 112.5	16.8 24.1 31.3	27 24 18	72	2900	7.5	4.5	181	240	490	810	100	65	470	290	420	190	80	4-φ14	φ220	φ180	8-φ18	JG2-1
100-200	70 100 130	19.4 27.8 36.1	54 50 42	65 74 73	2900	22	4.0	245	280	520	875	105	65	620	360	570	260	100	4-φ18	φ220	φ180	8-φ18	JG2-2
100-200A	65.4 93.5 121.6	18.2 26.0 33.8	47.5 44 37	64 73 72	2900	18.5	4.0	215	280	520	855	105	65	620	340	570	240	100	4-φ18	φ220	φ180	8-φ18	JG2-1
100-200B	61 87 113	16.9 24.2 31.4	41 38 32	71	2900	15	4.0	193	280	505	810	105	60	570	330	520	230	80	4-φ14	φ220	φ180	8-φ18	JG2-1
100-250	70 100 130	19.4 27.8 36.1	87 80 68	62 69 68	2900	37	4.0	345	300	580	990	125	70	720	400	670	300	100	4-φ20	φ220	φ180	8-φ18	JG2-2
100-250A	65.4 93.5 121.6	18.2 26.0 33.8	76 70 59.5	61 68 67	2900	30	4.0	330	300	580	990	125	70	720	400	670	300	100	4-φ20	φ220	φ180	8-φ18	JG2-2
100-250B	61 87 113	16.9 24.2 31.4	65 60 51	66	2900	22	4.0	330	300	580	990	125</											

■ Parameters and installation dimensions

Model	Flow		Head H (m)	Effici... η (%)	Speed n (r/min)	Power P (kW)	NPSH (NPSH) _r	Weight G (kg)	Dimensions					Base dimensions					Inlet & outlet flanges			Vibration isolation pads	
	(m ³ /h)	(L/s)							h	H	L	a	A	L ₁	B	I	b	h ₁	4-φ d ₁	D	D ₁		n-φ d
125-200	96 160 192	26.7 44.4 53.3	55 50 46	77	2900	37	5.5	395	300	580	950	120	75	720	400	670	300	100	4-φ 18	φ 250	φ 210	8-φ 18	JG2-2
125-200A	90 150 180	25 41.7 50	48.4 44 40.5	76	2900	30	5.5	380	300	580	950	120	75	720	400	670	300	100	4-φ 18	φ 250	φ 210	8-φ 18	JG2-2
125-200B	83 138 166	21.7 38.3 46.1	41.3 37.5 34.5	75	2900	22	5.5	320	300	580	880	120	75	640	380	590	280	100	4-φ 18	φ 250	φ 210	8-φ 18	JG2-2
125-250	96 160 192	26.7 44.4 53.3	87 80 73	75	2900	55	5.0	580	300	600	1160	150	110	820	500	740	300	100	4-φ 20	φ 250	φ 210	8-φ 18	JG3-1
125-250A	90 150 180	25 41.7 50	76 70 64	74	2900	45	5.5	490	300	600	980	150	110	750	450	670	250	100	4-φ 20	φ 250	φ 210	8-φ 18	JG3-1
125-250B	83 138 166	21.7 38.3 46.1	65 60 55	73	2900	37	5.5	430	300	600	950	150	90	720	400	670	300	100	4-φ 18	φ 250	φ 210	8-φ 18	JG3-1
125-315	96 160 192	26.7 44.4 53.3	133 125 119	70	2900	90	5.0	790	350	680	1330	150	100	950	560	870	360	100	4-φ 22	φ 250	φ 210	8-φ 18	JG3-1
125-315A	90 150 180	25 41.7 50	117 110 104.6	70	2900	75	5.0	710	350	680	1280	150	100	900	560	820	360	100	4-φ 22	φ 250	φ 210	8-φ 18	JG3-1
125-315B	86 143 172	23.9 41.7 47.8	106.4 100 95.2	69	2900	75	5.0	705	350	680	1280	150	100	900	560	820	360	100	4-φ 22	φ 250	φ 210	8-φ 18	JG3-1
125-315C	80.5 134 161	22.4 37.2 44.7	96 88 86	67	2900	55	5.0	585	350	680	1210	150	100	850	500	770	300	100	4-φ 22	φ 250	φ 210	8-φ 18	JG3-1
150-125	96 160 192	26.7 44.4 53.3	22.6 24 22	66 76 76	2900	11	4.0	210	260	520	840	130	90	560	330	510	230	100	4-φ 18	φ 285	φ 240	8-φ 22	JG2-1
150-125A	90 150 180	25 41.7 50	18 16 13.6	77	2900	7.5	4.0	130	240	500	735	130	90	510	290	460	190	80	4-φ 14	φ 285	φ 240	8-φ 22	JG2-1
150-160	96 160 192	26.7 44.4 53.3	36 32 27	75	2900	22	4.0	270	280	540	1000	125	90	620	360	570	260	100	4-φ 18	φ 285	φ 240	8-φ 22	JG2-2
150-160A	90 150 180	25 41.7 50	32 28 23.5	76	2900	18.5	4.0	230	280	540	930	125	90	620	360	570	260	100	4-φ 18	φ 285	φ 240	8-φ 22	JG2-2
150-160B	84 140 168	23.3 39 46.7	27 24 21	73	2900	15	4.0	220	280	540	895	125	90	570	330	520	230	100	4-φ 18	φ 285	φ 240	8-φ 22	JG2-2
150-200	140 200 260	38.9 55.6 72.2	13.8 12.5 10.6	68 78 78	1450	15	3.0	265	350	675	885	140	100	640	380	590	280	100	4-φ 18	φ 285	φ 240	8-φ 22	JG2-2
150-200A	125 176 232.5	34.7 51.9 64.6	11 10 8.5	66 76 76	1450	11	3.0	244	350	675	840	140	100	600	380	550	280	100	4-φ 18	φ 285	φ 240	8-φ 22	JG2-2
150-200B	110 160 207	31 44.4 57.6	9.2 8.8 8	75	1450	7.5	3.0	275	330	655	735	140	100	550	380	500	280	80	4-φ 14	φ 285	φ 240	8-φ 22	JG2-2
150-250	140 200 260	38.9 55.6 72.2	21.8 20 17	73 79 73	1450	18.5	3.0	300	350	690	915	140	85	650	400	600	300	100	4-φ 20	φ 285	φ 240	8-φ 22	JG2-2
150-250A	129 184.4 240	35.6 52.2 66.7	18.5 17 14.4	72 76	1450	15	3.0	262	350	690	895	140	85	650	400	600	300	100	4-φ 20	φ 285	φ 240	8-φ 22	JG2-2
150-250B	117 167 217.5	32.5 46.4 60.4	15.2 14 12	76	1450	11	3.0	241	350	690	850	140	85	600	400	550	300	100	4-φ 20	φ 285	φ 240	8-φ 22	JG2-2
150-315	140 200 260	38.9 55.6 72.2	33.8 32 28	70 78 73	1450	30	2.5	410	380	760	1025	150	90	760	520	680	320	100	4-φ 22	φ 285	φ 240	8-φ 22	JG2-2
150-315A	131 187 243	36.4 51.9 67.5	29.5 28 24.5	69 77 77	1450	22	3.5	335	380	760	950	150	90	720	520	640	320	100	4-φ 20	φ 285	φ 240	8-φ 22	JG2-2
150-315B	121 173 225	33.5 48.1 62.5	25 24 21	76	1450	18.5	3.5	315	380	760	910	150	90	680	520	600	320	100	4-φ 20	φ 285	φ 240	8-φ 22	JG2-2
150-350	96 160 192	26.7 44.4 53.3	153.6 150 142.8	80	2900	110	5.5	970	400	780	1700	150	90	1050	660	970	460	120	4-φ 22	φ 285	φ 240	8-φ 22	JG3-2
150-350A	90 150 180	25 41.7 50	145.6 142 134.8	70	2900	90	5.2	790	400	780	1270	150	90	1000	560	920	360	120	4-φ 22	φ 285	φ 240	8-φ 22	JG3-1
150-350B	84 140 168	23.3 39 46.7	138.6 135 127.8	65 76 74	2900	75	5.5	705	400	780	1220	150	90	940	550	860	350	120	4-φ 22	φ 285	φ 240	8-φ 22	JG3-1
150-400	140 200 260	38.9 55.6 72.2	53 50 44	68 75 71	1450	45	3.5	490	415	815	1090	140	80	780	500	700	300	100	4-φ 22	φ 285	φ 240	8-φ 22	JG3-1
150-400A	131 187 243	36.4 51.9 67.5	46.6 44 38.3	67 74 70	1450	37	3.5	454	415	815	1060	140	80	760	500	680	300	100	4-φ 20	φ 285	φ 240	8-φ 22	JG3-1
150-400B	122 174 226.5	33.9 49.3 62.5	40 38 33	73	1450	30	3.5	435	415	815	1045	140	80	760	500	680	300	100	4-φ 20	φ 285	φ 240	8-φ 22	JG3-1
150-400C	112 160 208	31.1 44.4 57.8	34 32 28	71	1450	22	3.5	365	415	815	970	140	80	720	500	640	300	100	4-φ 20	φ 285	φ 240	8-φ 22	JG3-1
150-250(I)	120 200 240	33.3 55.6 66.7	33 30 27	65 76 74	2900	75	4.5	702	370	710	1245	140	100	880	550	800	350	120	4-φ 22	φ 285	φ 240	8-φ 22	JG3-1
150-250(I)A	112 167 224	31.1 44.4 62.2	26 25 21	64 75 73	2900	55	4.5	561	350	690	1175	140	100	820	500	640	300	100	4-φ 20	φ 285	φ 240	8-φ 22	JG3-1
150-250(I)B	104 173 208	28.9 48.1 57.8	65 60 54	63 74 72	2900	45	4.5	460	350	690	1090	140	100	740	450	660	250	100	4-φ 20	φ 285	φ 240	8-φ 22	JG3-1
150-315(I)	120 200 240	33.3 55.6 66.7	133 125 110	58 73 75	2900	110	4.5	980	400	780	1700	150	90	1050	660	970	460	120	4-φ 22	φ 285	φ 240	8-φ 22	JG3-2
150-315(I)A	112 167 224	31.1 44.4 62.2	116 110 105	57 72 74	2900	90	4.5	800	400	780	1270	150	90	1000	560	920	360	120	4-φ 22	φ 285	φ 240	8-φ 22	JG3-1

■ Parameters and installation dimensions

Model	Flow		Head H (m)	Effici... η (%)	Speed n (r/min)	Power P (kW)	NPSH (NPSH) _r	Weight G (kg)	Dimensions					Base dimensions					Inlet & outlet flanges			Vibration isolation pads	
	(m ³ /h)	(L/s)							h	H	L	a	A	L ₁	B	I	b	h ₁	4-φ d ₁	D	D ₁		n-φ d
150-315(I)B	104 173 208	28.9 48.1 57.8	100 95 91	55 70 72	2900	75	4.5	724	400	780	1220	150	90	940	550	860	350	120	4-φ 22	φ 285	φ 240	8-φ 22	JG3-1
200-200	140 200 260	38.9 55.6 72.2	13.8 12.5 10.6	68 78 78	1450	15	3.0	265	350	670	890	165	100	660	410	610	310	100	4-φ 18	φ 340	φ 295	12-φ 22	JG2-2
200-200A	125 179 232.5	34.7 49.7 64.6	11 10 8.5	66 76 76	1450	11	3.0	244	350	670	845	165	100	610	410	560	310	100	4-φ 18	φ 340	φ 295	12-φ 22	JG2-2
200-250	140 200 260	38.9 55.6 72.2	21.8 20 17	73 79 77	1450	18.5	3.0	305	350	710	915	165	100	660	410	610	310	100	4-φ 18	φ 340	φ 295	12-φ 22	JG2-2
200-250A	129 184.4 240	35.8 52.2 66.7	18.5 17 14.4	72 76	1450	15	3.0	267	350	710	895	165	100	660	410	610	310	100	4-φ 18	φ 340	φ 295	12-φ 22	JG2-2
200-250B	117 167 217.5	32.5 46.4 60.4	15.2 14 12																				

Parameters and installation dimensions

Model	Flow		Head H (m)	Effici.. η (%)	Speed n (r/min)	Power P (kW)	NPSH (NPSH)r	Weight G (kg)	Dimensions					Base dimensions					Inlet & outlet flanges			Vibration isolation pads	
	(m³/h)	(L/s)							h	H	L	a	A	L ₁	B	I	b	h ₁	4-φd ₁	D	D ₁		n-φd
250-500B	339	94.2	46	75	1450	110	5.5	1600	455	1000	1400	200	150	1080	720	1000	520	120	4-φ22	φ405	φ355	12-φ26	JG3-2
	508	141.1	43																				
	575	159.7	40																				
300-235	540	150	20.5	77	1450	55	5.0	1075	525	1120	1370	230	150	920	720	840	520	120	4-φ22	φ460	φ410	12-φ26	JG3-2
	720	200	18																				
	900	250	15.0																				
300-235A	450	125	17.2	74	1450	45	5.0	970	525	1120	1320	230	150	850	720	770	520	120	4-φ22	φ460	φ410	12-φ26	JG3-2
	600	166	15																				
	720	200	12.5																				
300-235B	420	116.7	14.3	73	1450	37	5.0	925	525	1120	1250	230	150	830	720	750	520	120	4-φ22	φ460	φ410	12-φ26	JG3-2
	540	150	12.8																				
	650	181	10.5																				
300-250	540	150	22.5	80	1450	55	6.0	1085	525	1120	1300	230	150	920	720	840	520	120	4-φ22	φ460	φ410	12-φ26	JG3-2
	720	200	20																				
	900	250	17																				
300-250A	450	136	19.5	81	1450	45	6.0	980	525	1120	1300	230	150	850	720	770	520	120	4-φ22	φ460	φ410	12-φ26	JG3-2
	600	166	17																				
	720	200	14																				
300-300	540	150	32	82	1480	75	5.0	1230	525	1180	1330	250	160	1040	720	960	520	120	4-φ22	φ460	φ410	12-φ26	JG3-2
	720	200	28																				
	900	250	23																				
300-300A	450	125	27.5	80	1480	75	5.0	1095	525	1180	1330	250	160	1040	720	960	520	120	4-φ22	φ460	φ410	12-φ26	JG3-2
	600	166	24																				
	720	200	20																				
300-300B	420	116.7	24	78	1480	55	5.0	980	525	1180	1330	250	160	980	720	900	520	120	4-φ22	φ460	φ410	12-φ26	JG3-2
	540	150	21																				
	650	181	17																				
300-315	540	150	35	84	1480	90	4.5	1350	525	1180	1400	250	160	1100	720	1020	520	120	4-φ22	φ460	φ410	12-φ26	JG3-2
	720	200	32																				
	900	250	26																				
300-315A	460	127.8	31.5	80	1480	75	4.5	1240	525	1180	1400	250	160	1040	720	960	520	120	4-φ22	φ460	φ410	12-φ26	JG3-2
	650	180	28																				
	800	222	23.5																				
300-315B	420	116.7	27	78	1480	55	4.5	1100	525	1180	1350	250	160	980	720	900	520	120	4-φ22	φ460	φ410	12-φ26	JG3-2
	580	161	24																				
	700	194	20.0																				
300-380	480	133.3	48	84	970	132.0	5.0	1900	525	1180	1835	250	160	1160	720	1080	520	120	4-φ22	φ460	φ410	12-φ26	JG4-1
	720	200	44																				
	900	250	34																				
300-380A	444	123.3	41.4	80	970	110.0	5.0	1700	525	1180	1835	250	160	1100	720	1020	520	120	4-φ22	φ460	φ410	12-φ26	JG4-1
	666	185	38																				
	833	231.4	30																				
300-380B	400	113.6	35	78	970	90.0	5.0	1530	525	1180	1715	250	160	1100	720	1020	520	120	4-φ22	φ460	φ410	12-φ26	JG4-1
	614	170.6	32																				
	764	213.1	25																				
300-390	540	150	20.5	78	980	55	5.0	1300	525	1180	1500	250	160	1100	720	1020	520	120	4-φ22	φ460	φ410	12-φ26	JG3-2
	720	200	18																				
	900	250	15.5																				
300-390A	450	126	17.2	77	980	45	5.0	1220	525	1180	1350	250	160	1040	720	960	520	120	4-φ22	φ460	φ410	12-φ26	JG3-2
	600	167	15																				
	720	200	12.8																				
300-390B	400	111	14	74	980	37	5.0	1100	525	1180	1350	250	160	980	720	90	520	120	4-φ22	φ460	φ410	12-φ26	JG3-2
	540	150	12.5																				
	650	180	11.5																				
300-400	450	125	55	78	1480	132	5.0	1500	525	1180	1525	250	160	1100	720	1020	520	120	4-φ22	φ460	φ410	12-φ26	JG3-2
	600	166	50																				
	720	200	42.5																				
300-500C	460	127.7	47	74	1450	110	6.0	1600	525	1180	1525	250	160	1100	720	1020	520	120	4-φ22	φ460	φ410	12-φ26	JG3-2
	662	183.8	43.5																				
	791	219.7	36.5																				
300-480	540	150	31	79	980	75	5.0	1500	525	1180	1400	250	160	1100	720	1020	520	120	4-φ22	φ460	φ410	12-φ26	JG3-2
	720	200	28																				
	900	250	24																				
300-480A	450	126	27.4	78	980	75	5.0	1280	525	1180	1400	250	160	1100	720	1020	520	120	4-φ22	φ460	φ410	12-φ26	JG3-2
	600	166	24																				
	720	200	20.0																				
300-480B	400	111	24	79	980	55	5.0	1180	525	1180	1300	250	160	1100	720	1020	520	120	4-φ22	φ460	φ410	12-φ26	JG3-2
	540	150	21																				
	650	180	17																				
300-235(I)	718	199.4	44.6	75	1450	160	6.0	1400	525	1180	1560	250	160	1160	720	1080	520	120	4-φ22	φ460	φ410	12-φ26	JG3-2
	1080	300.0	40																				
	1345	373.6	34.6																				
300-235(I)A	642	178.3	35.7	73	1450	132	6.0	1370	525	1180	1560	250	160	1160	720	1080	520	120	4-φ22	φ460	φ410	12-φ26	JG3-2
	965	268.1	32																				
	1203	334.2	27.7																				
350-235	600	167	14	80	980	45	4.5	1050	520	1155	1350	260	165	1040	700	960	500	120	4-φ22	φ520	φ470	16-φ26	JG3-2
	800	222	12.5																				
	960	267	10.5																				
350-235(I)	800	222.2	20	80	980	75	4.5	1570	520	1155	1510	260	165	1120	700	1040	500	120	4-φ22	φ520	φ470	16-φ26	JG3-2
	1080	300	16																				
	1350	375	12																				
350-300	600	167	22.5	79	980	55	4.5	1230	520	1155	1390	260	165	1100	700	1020	500	120	4-φ22	φ520	φ470	16-φ26	JG3-2
	800	222	20																				
	960	267	17.5																				
350-315	600	167	35.5	84	980	110	4.5	1650	520	1155	1550	260	165	1120	700	1040	500	120	4-φ22	φ520	φ470	16-φ26	JG4-1
	800	222	32																				
	960	267	28.5																				
350-315A	500	138.9	28.4	82	980	90	4.5	1600	520	1155	1380	260	165	1100	700	1020	500	120	4-φ22	φ520	φ470	16-φ26	JG4-1
	720	200.0	25.6																				
	900	250.0	22.8																				
350-400	600	167	55	83	980	160	4.5	1950	550	1260	1720	280	154	1250	730	1170	530	120	4-φ22	φ520	φ470	16-φ26	JG4-1
	800	222	50																				
	960	267	45.5																				
400-300	920	255	23	78	980	90	6.0																

Parameters and installation dimensions

Model	Flow		Head H (m)	Effici. η (%)	Speed n (r/min)	Power P (kW)	NPSH (NPSH)r	Weight G (kg)	Dimensions				Base dimensions				Inlet & outlet flanges			Vibration isolation pads
	(m³/h)	(L/s)							h	H	L	a	B	I	b	4-φd1	D	D1	n-φd	
40-100	2.2 3.2 4.2	0.61 0.89 1.17	3.3 3 2.8	48	1400	0.12	2.5	17	145	240	440	97	125	240	100	4-φ12	φ150	φ110	4-φ18	SD41-0.5
40-125	2.2 3.2 4.2	0.61 0.89 1.17	5.5 5 4.5	40	1400	0.18	2.5	19	145	260	440	97	125	240	100	4-φ12	φ150	φ110	4-φ18	SD41-0.5
40-125A	2.0 2.8 3.7	0.56 0.78 1.03	4.4 4 3.6	39	1400	0.12	2.5	19	145	260	440	97	125	240	100	4-φ12	φ150	φ110	4-φ18	SD41-0.5
40-160	2.2 3.2 4.2	0.61 0.89 1.17	8.5 8 7.5	36	1400	0.25	2.5	24	145	290	475	102	140	270	112	4-φ12	φ150	φ110	4-φ18	SD61-0.5
40-160A	2.0 2.8 3.7	0.56 0.78 1.03	6.8 6.4 6	35	1400	0.18	2.5	22	145	290	455	102	140	250	100	4-φ12	φ150	φ110	4-φ18	SD61-0.5
40-200	2.2 3.2 4.2	0.61 0.89 1.17	19 12.5 12	31	1450	0.55	2.5	38	190	310	490	102	190	290	125	4-φ12	φ150	φ110	4-φ18	SD61-0.5
40-200A	2.0 2.8 3.7	0.56 0.78 1.03	10.4 10 9.6	30	1400	0.37	2.5	30	190	310	490	102	190	290	112	4-φ12	φ150	φ110	4-φ18	SD61-0.5
40-250	2.2 3.2 4.2	0.61 0.89 1.17	20.5 20 18.5	25	1450	1.1	2.5	52	210	355	510	102	216	310	140	4-φ14	φ150	φ110	4-φ18	SD61-0.5
40-250A	2.0 2.8 3.7	0.56 0.78 1.03	16.4 16 15	25	1450	0.75	2.5	47	210	345	510	102	216	310	125	4-φ14	φ150	φ110	4-φ18	SD61-0.5
40-250B	1.6 2.3 3.4	0.44 0.64 0.94	13.2 13 12	24	1450	0.55	2.5	46	190	345	510	102	216	310	125	4-φ14	φ150	φ110	4-φ18	SD61-0.5
40-100(I)	3.8 6.3 7.5	1.06 1.75 2.08	3.4 3 2.8	54	1400	0.12	2.5	17	145	260	445	102	125	240	100	4-φ12	φ150	φ110	4-φ18	SD41-0.5
40-125(I)	3.8 6.3 7.5	1.06 1.75 2.08	5.4 5.0 4.6	54	1400	0.25	2.5	29	145	270	460	102	140	260	112	4-φ12	φ150	φ110	4-φ18	SD41-0.5
40-125(I)A	3.4 5.6 6.7	0.94 1.56 1.86	4.3 4.0 3.7	52	1400	0.18	2.5	24	145	260	445	102	140	240	100	4-φ12	φ150	φ110	4-φ18	SD41-0.5
40-160(I)	3.8 6.3 7.5	1.06 1.75 2.08	8.5 8.0 7.5	47	1450	0.55	2.5	43	165	290	485	107	160	280	125	4-φ12	φ150	φ110	4-φ18	SD61-0.5
40-160(I)A	3.0 5.1 6.1	0.83 1.42 1.69	5.6 5.3 4.9	45	1400	0.25	2.5	30	155	290	485	107	160	280	112	4-φ12	φ150	φ110	4-φ18	SD61-0.5
40-200(I)	3.8 6.3 7.5	1.06 1.75 2.08	13.1 12.5 12	40	1450	0.75	2.5	45	180	320	500	107	216	300	125	4-φ12	φ150	φ110	4-φ18	SD61-0.5
40-200(I)A	3.3 5.5 6.5	0.92 1.53 1.81	10 9.5 9	39	1450	0.55	2.5	44	180	320	500	107	216	300	125	4-φ12	φ150	φ110	4-φ18	SD61-0.5
40-250(I)	3.8 6.3 7.5	1.06 1.75 2.08	20.5 20 19.5	32	1450	1.5	2.5	54	210	365	560	115	254	330	140	4-φ14	φ150	φ110	4-φ18	JG1-1
40-250(I)A	3.4 5.6 6.7	0.94 1.56 1.86	16.4 16 15.6	32	1450	1.1	2.5	49	210	365	540	115	254	310	140	4-φ14	φ150	φ110	4-φ18	JG1-1
40-250(I)B	3.1 5.1 6.1	0.86 1.42 1.69	13.2 13 12.5	30	1450	0.75	2.5	42	210	355	525	115	254	310	125	4-φ14	φ150	φ110	4-φ18	JG1-1
50-100	3.8 6.3 7.5	1.06 1.75 2.08	3.4 3 2.8	54	1400	0.12	2.5	19	145	260	440	102	125	240	100	4-φ12	φ165	φ125	4-φ18	SD41-0.5
50-125	3.8 6.3 7.5	1.06 1.75 2.08	5.4 5.0 4.6	54	1400	0.25	2.5	25	155	270	455	102	140	250	112	4-φ12	φ165	φ125	4-φ18	SD41-0.5
50-125A	3.4 5.6 6.7	0.94 1.56 1.86	4.3 4.0 3.7	52	1400	0.18	2.5	19	145	260	440	102	140	250	100	4-φ12	φ165	φ125	4-φ18	SD41-0.5
50-160	3.8 6.3 7.5	1.06 1.75 2.08	8.5 8.0 7.5	47	1450	0.55	2.5	42	165	290	485	107	160	280	125	4-φ12	φ165	φ125	4-φ18	SD61-0.5
50-160A	3.0 5.1 6.1	0.83 1.42 1.69	5.6 5.3 4.9	45	1400	0.25	2.5	37	155	290	485	107	160	280	112	4-φ12	φ165	φ125	4-φ18	SD61-0.5
50-200	3.8 6.3 7.5	1.06 1.75 2.08	13.1 12.5 12	40	1450	0.75	2.5	48	200	320	500	107	216	300	125	4-φ12	φ165	φ125	4-φ18	SD61-0.5
50-200A	3.3 5.5 6.5	0.92 1.53 1.81	10 9.5 9	39	1450	0.55	2.5	46	180	320	500	107	216	300	125	4-φ12	φ165	φ125	4-φ18	SD61-0.5
50-250	3.8 6.3 7.5	1.06 1.75 2.08	20.5 20 19.5	32	1450	1.5	2.5	58	240	365	560	115	254	330	140	4-φ14	φ165	φ125	4-φ18	JG1-2
50-250A	3.4 5.6 6.7	0.94 1.56 1.86	16.4 16 15.6	32	1450	1.1	2.5	50	210	365	540	115	254	310	140	4-φ14	φ165	φ125	4-φ18	JG1-2
50-250B	3.1 5.1 6.1	0.86 1.42 1.69	13.2 13 12.5	30	1450	0.75	2.5	49	210	355	530	107	254	310	125	4-φ12	φ165	φ125	4-φ18	JG1-2
50-100(I)	7.5 12.5 15	2.08 3.47 4.17	3.5 3 2.5	63	1400	0.25	2.5	23	155	580	465	111	140	240	112	4-φ12	φ165	φ125	4-φ18	SD41-0.5
50-125(I)	7.5 12.5 15	2.08 3.47 4.17	5.4 5.0 4.7	63	1400	0.37	2.5	34	165	300	485	109	160	260	112	4-φ12	φ165	φ125	4-φ18	SD61-0.5
50-125(I)A	6.6 11.0 13.2	1.83 3.06 3.67	4.1 3.8 3.6	60	1400	0.25	2.5	33	155	300	485	109	160	260	100	4-φ12	φ165	φ125	4-φ18	SD61-0.5
50-160(I)	7.5 12.5 15	2.08 3.47 4.17	8.8 8 7.2	59	1450	0.55	2.8	46	180	320	500	112	190	280	125	4-φ12	φ165	φ125	4-φ18	SD61-0.5

Parameters and installation dimensions

Model	Flow		Head H (m)	Effici. η (%)	Speed n (r/min)	Power P (kW)	NPSH (NPSH)r	Weight G (kg)	Dimensions				Base dimensions				Inlet & outlet flanges			Vibration isolation pads
	(m³/h)	(L/s)							h	H	L	a	B	I	b	4-φd1	D	D1	n-φd	
50-160(I)A	6.5 10.8 13.0	1.81 3.0 3.61	6.6 6 5.4	57	1400	0.37	2.8	34	180	310	500	112	190	280	112	4-φ12	φ165	φ125	4-φ18	SD61-0.5
50-200(I)	7.5 12.5 15	2.08 3.47 4.17	13.2 12.5 11.8	54	1450	1.1	2.8	52	210	340	520	115	216	290	140	4-φ14	φ165	φ125	4-φ18	SD61-0.5
50-200(I)A	6.8 11.3 13.5	1.89 3.14 3.75	10.7 10.1 9.6	53	1450	0.75	2.8	48	210	330	500	115	216	270	125	4-φ14	φ165	φ125	4-φ18	SD61-0.5
50-250(I)	7.5 12.5 15	2.08 3.47 4.17	21 20 19.4	45	1450	2.2	2.8	73	240	380	600	123	254	350	160	4-φ14	φ165	φ125	4-φ18	JG1-2
50-250(I)A	7.0 11.7 14.1	1.94 3.25 3.92	18.4 17.6 17	44	1450	1.5	2.8	65	240	370	565	123	254	215	140	4-φ14	φ165	φ125	4-φ18	JG1-2
50-250(I)B	6.1 10.2 12.3	1.69 2.81 3.42	14.1 13.4 13.0	43	1450	1.1	2.8	60	240	370	555	123	254	205	140	4-φ14	φ165	φ125	4-φ18	JG1-2
50-315(I)	7.5 12.5 15	2.08 3.47 4.17	32.3 32 31.7	36	1450	4.0	2.8	89	315	430	640	121	318	400	190	4-φ14	φ165	φ125	4-φ18	JG1-2
50-315(I)A	7 11.7 14	1.94 3.25 3.92	28.1 28 27.6	36	1450	3.0	2.8	84	280	420	620	121	318	380	160	4-φ14	φ165	φ125	4-φ18	JG1-2
50-315(I)B	6.1 10.2 12.1	1.69 2.81 3.36	21.2 21 20.8	34	1450	3.0	2.8	82	255	420	620	121	318	380	160	4-φ14	φ165	φ125	4-φ18	JG1-2
65-100	7.5 12.5 15	2.08 3.47 4.17	3.5 3 2.5	63	1400	0.25	2.8	29	155	280	465	111	140	240	112	4-φ14	φ185	φ145	4-φ18	SD41-0.5
65-125	7.5 12.5 15	2.08 3.47 4.17	5.4 5.0 4.7	63	1400	0.37	2.8	32	165	300	480	109	160	260	112	4-φ14	φ185	φ145	4-φ18	SD61-0.5
65-125A	6.6 11.0 13.2	1.83 3.06 3.67	4.1 3.8 3.6	60	1400	0.25	2.8	27	155	300	480	109	160	260	100	4-φ14	φ185	φ145	4-φ18	SD61-0.5
65-160	7.5 12.5 15	2.08 3.47 4.17	8.8 8 7.2	59	1450	0.55	2.8	46	180	320	500	112	190	280	125	4-φ14	φ185	φ145		

■ **Parameters and installation dimensions**

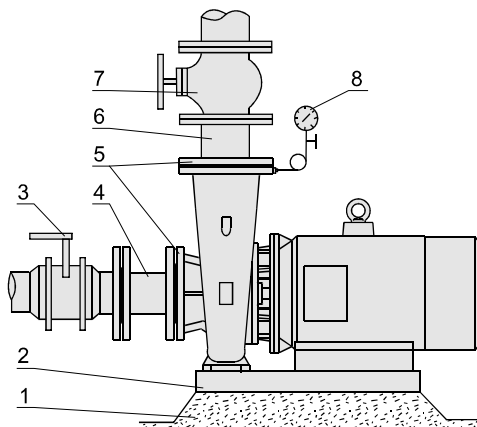
Model	Flow		Head H (m)	Effici. η (%)	Speed n (r/min)	Power P (kW)	NPSH (NPSH)r	Weight G (kg)	Dimensions				Base dimensions			Inlet & outlet flanges			Vibration isolation pads	
	(m ³ /h)	(L/s)							h	H	L	a	B	I	b	4-φd1	D	D1		n-φd
65-315(I)B	12.1 20.2 24.2	3.36 5.61 6.75	21.3 21 20.6	49	1450	3.0	2.8	100	315	455	650	124	250	420	160	4-φ16	φ185	φ145	4-φ18	JG1-2
80-100	15 25 30	4.17 6.94 8.33	3.5 3 2.5	70	1400	0.37	2.8	33	165	315	490	100	140	250	112	4-φ14	φ200	φ160	4-φ18	SD61-0.5
80-125	15 25 30	4.17 6.94 8.33	5.6 5 4.5	70	1450	0.75	2.8	48	210	325	515	122	160	280	125	4-φ14	φ200	φ160	4-φ18	SD61-0.5
80-125A	13.1 21.8 26.1	3.05 6.05 7.25	4.3 3.8 3.4	65	1450	0.55	2.8	45	180	325	525	122	160	280	125	4-φ14	φ200	φ160	4-φ18	SD61-0.5
80-160	15 25 30	4.17 6.94 8.33	9 8 7.2	68	1450	1.1	2.8	55	210	350	530	122	160	300	140	4-φ16	φ200	φ160	4-φ18	SD61-0.5
80-160A	13.0 21.6 25.9	3.61 6.94 7.19	6.7 6.0 5.4	65	1450	0.75	2.8	51	210	340	515	122	160	300	125	4-φ16	φ200	φ160	4-φ18	SD61-0.5
80-200	15 25 30	4.17 6.94 8.33	13.2 12.5 11.8	64	1450	2.2	2.8	72	240	390	560	125	200	320	160	4-φ16	φ200	φ160	4-φ18	JG1-2
80-200A	14.0 23.3 27.9	3.89 6.47 7.75	11.5 10.9 10.2	63	1450	1.5	2.8	64	240	380	525	125	200	300	140	4-φ16	φ200	φ160	4-φ18	JG1-2
80-250	15 25 30	4.17 6.94 8.33	21 20 18.8	59	1450	3.0	2.8	89	280	415	605	130	230	350	160	4-φ16	φ200	φ160	4-φ18	JG1-2
80-250A	13.3 22.2 26.6	3.69 6.17 7.39	16.6 15.8 14.8	58	1450	2.2	2.8	85	255	415	605	130	230	350	160	4-φ16	φ200	φ160	4-φ18	JG1-2
80-250B	11.9 19.8 23.8	3.31 5.5 6.61	13.2 12.6 11.8	57	1450	1.5	2.8	78	240	405	570	130	230	350	140	4-φ16	φ200	φ160	4-φ18	JG1-2
80-315	15 25 30	4.17 6.94 8.33	32.5 32 31.5	50	1450	5.5	2.8	130	315	485	725	124	250	490	216	4-φ16	φ200	φ160	4-φ18	JG2-1
80-315A	14 23 28	3.89 6.39 7.78	28.3 27.9 27.4	50	1450	4.0	2.8	102	315	465	670	124	250	430	190	4-φ16	φ200	φ160	4-φ18	JG2-1
80-315B	12.1 20.2 24.3	3.36 5.61 6.75	21.3 21 20.6	49	1450	3.0	2.8	95	315	455	650	124	250	420	160	4-φ16	φ200	φ160	4-φ18	JG2-1
80-100(I)	30 50 60	8.33 13.89 16.67	3.5 3 2.5	73	1450	0.75	3.0	58	210	390	525	133	125	270	125	4-φ16	φ200	φ160	4-φ18	SD61-0.5
80-125(I)	30 50 60	8.33 13.89 16.67	6 5 4	73	1450	1.1	3.0	61	240	395	650	130	140	300	140	4-φ16	φ200	φ160	4-φ18	SD61-0.5
80-125(I)A	26.8 44.6 53.5	7.44 12.4 14.9	4.8 4 3.2	63	1450	1.1	3.0	61	210	395	545	130	140	300	140	4-φ16	φ200	φ160	4-φ18	SD61-0.5
80-160(I)	30 50 60	8.33 13.89 16.67	9.2 8 6.8	73	1450	2.2	3.0	82	240	430	610	137	160	350	160	4-φ16	φ200	φ160	4-φ18	JG1-2
80-160(I)A	26.7 44.5 53.4	7.42 12.36 14.83	7.3 6.3 5.4	71	1450	1.5	3.0	74	240	420	575	137	140	320	140	4-φ16	φ200	φ160	4-φ18	JG1-2
80-200(I)	30 50 60	8.33 13.89 16.67	13.5 12.5 11.8	72	1450	3.0	3.0	97	280	430	610	130	160	360	160	4-φ16	φ200	φ160	4-φ18	JG1-2
80-200(I)A	26.7 44.6 53.5	7.42 12.36 14.83	10.7 9.9 9.4	71	1450	2.2	3.0	93	260	430	610	130	160	360	160	4-φ16	φ200	φ160	4-φ18	JG1-2
80-250(I)	30 50 60	8.33 13.89 16.67	21.3 20 19	66	1450	5.5	3.0	134	320	690	720	132	216	460	216	4-φ18	φ200	φ160	4-φ18	JG2-1
80-250(I)A	28 46.7 56	7.78 12.97 15.56	18.6 17.4 16.6	65	1450	4.0	3.0	106	320	470	665	132	190	400	190	4-φ18	φ200	φ160	4-φ18	JG2-1
80-250(I)B	24.2 40.4 48.5	6.72 11.22 13.47	13.9 13.1 12.4	63	1450	3.0	3.0	100	320	460	645	132	160	380	160	4-φ18	φ200	φ160	4-φ18	JG2-1
80-315(I)	30 50 60	8.33 13.89 16.67	34 32 30	61	1450	11.0	3.0	217	400	555	815	137	254	550	254	4-φ18	φ200	φ160	4-φ18	JG2-1
80-315(I)A	28 46.7 56	7.78 12.97 15.56	29.6 27.9 26.1	61	1450	7.5	3.0	180	370	525	735	137	254	470	216	4-φ18	φ200	φ160	4-φ18	JG2-1
80-315(I)B	24.3 40.5 48.6	6.72 11.22 13.47	22.3 21 19.1	60	1450	5.5	3.0	166	345	525	695	137	254	430	216	4-φ18	φ200	φ160	4-φ18	JG2-1
100-100	30 50 60	8.33 13.89 16.67	3.5 3 2.5	73	1450	0.75	3.0	62	210	390	525	133	125	200	125	4-φ16	φ220	φ180	8-φ18	JG1-2
100-125	30 50 60	8.33 13.89 16.67	6 5 4	73	1450	1.1	3.0	70	240	395	560	130	140	180	140	4-φ16	φ220	φ180	8-φ18	JG1-2
100-125A	26.8 44.6 53.5	7.44 12.4 14.9	4.8 4 3.2	63	1450	1.1	3.0	68	210	395	545	130	160	300	140	4-φ16	φ220	φ180	8-φ18	JG1-2
100-160	30 50 60	8.33 13.89 16.67	9.2 8 6.8	73	1450	2.2	3.0	87	240	430	610	137	140	300	160	4-φ16	φ220	φ180	8-φ18	JG1-2
100-160A	26.7 44.5 53.4	7.42 12.36 14.83	7.3 6.3 5.4	71	1450	1.5	3.0	79	240	420	575	137	160	350	140	4-φ16	φ220	φ180	8-φ18	JG1-2
100-200	30 50 60	8.33 13.89 16.67	13.5 12.5 11.8	72	1450	3.0	3.0	100	280	430	610	130	160	320	160	4-φ16	φ220	φ180	8-φ18	JG1-2
100-200A	26.7 44.6 53.5	7.42 12.36 14.83	10.7 9.9 9.4	71	1450	2.2	3.0	90	260	430	610	130	160	350	160	4-φ16	φ220	φ180	8-φ18	JG1-2

■ **Parameters and installation dimensions**

Model	Flow		Head H (m)	Effici. η (%)	Speed n (r/min)	Power P (kW)	NPSH (NPSH)r	Weight G (kg)	Dimensions				Base dimensions			Inlet & outlet flanges			Vibration isolation pads	
	(m ³ /h)	(L/s)							h	H	L	a	B	I	b	4-φd1	D	D1		n-φd
100-250	30 50 60	8.33 13.89 16.67	21.3 20 19	66	1450	5.5	3.0	140	320	490	720	132	216	460	216	4-φ18	φ220	φ180	8-φ18	JG2-1
100-250A	28 46.7 56	7.78 12.97 15.56	18.6 17.4 16.6	65	1450	4.0	3.0	112	320	470	665	132	216	420	170	4-φ18	φ220	φ180	8-φ18	JG2-1
100-250B	24.2 40.4 48.5	6.72 11.22 13.47	13.9 13.1 12.4	63	1450	3.0	3.0	105	320	460	645	132	216	400	160	4-φ18	φ220	φ180	8-φ18	JG2-1
100-315	30 50 60	8.33 13.89 16.67	34 32 30	61	1450	11.0	3.0	225	400	555	810	137	254	550	254	4-φ18	φ220	φ180	8-φ18	JG2-1
100-315A	28 46.7 56	7.78 12.97 15.56	29.6 27.9 26.1	61	1450	7.5	3.0	180	370	525	730	137	254	480	216	4-φ18	φ220	φ180	8-φ18	JG2-1
100-315B	24.3 40.5 48.6	6.72 11.22 13.47	22.3 21 19.1	60	1450	5.5	3.0	165	345	525	690	137	254	420	216	4-φ18	φ220	φ180	8-φ18	JG2-1
100-125(I)	60 100 120	16.67 27.78 33.33	6.5 5 4	78	1450	2.2	3.0	95	200	450	595	135	160	340	160	4-φ16	φ220	φ180	8-φ18	JG2-1
100-125(I)A	52.2 87.1 104	14.5 24.2 28.9	4.3 3.8 3.4	76	1450	1.5	3.0	87	190	440	570	135	160	320	140	4-φ16	φ220	φ180	8-φ18	JG1-2
100-160(I)	60 100 120	16.67 27.78 33.33	10 8 7	78	1450	4.0	3.0	118	210	490	630	135	190	370	190	4-φ16	φ220	φ180	8-φ18	JG2-1
100-160(I)A	52.2 87.1 104	14.5 24.2 28.9	7.3 6.3 5.4	76	1450	3.0	3.0	113	200	480	610	135	190	350	160	4-φ16	φ220	φ180	8-φ18	JG2-1
100-200(I)	60 100 120	16.67 27.78 33.33	14.0 12.5 11	75	1450	5.5	3.0	148	230	530	710	135	216	450	216	4-φ18	φ220	φ180	8-φ18	JG2-1
100-200(I)A	51.7 86.1 103	14.36 23.92 28.61	10.8 9.3 8.2	73	1450	4.0	3.0	123	210	510	655	135	216	400	190	4-φ18	φ220	φ180	8-φ18	JG2-1
100-250(I)	60 100 120	16.67 27.78 33.33	21.5 20 18.5	74	1450	11.0	3.0	208	260	590	830	137	254	570	254	4-φ18	φ220	φ180	8-φ18	JG2-1
100-250(I)A	56 93.3 112	15.56 25.92 31.11	18.7 17.4 16.1	73	1450	7.5	3.0	165	230	560	750	137	254	500	216	4-φ18	φ220	φ180	8-φ18	JG2-1
100-250(I)B	52.2 87.1 104	14.5 24.2 28.9	16 14 14	72	1450	5.5	3.0	149	230	560	710	137	254	460	216	4-φ18	φ220	φ180	8-φ18	JG2-1
100-315(I)	60 100 120	16.67 27.78 33.33	33.5 32 30.5	71	1450	15.0	3.0	234	260	610	955	142	254	700	254	4-φ18	φ220	φ180	8-φ18	JG2-2
100-315(I)A	55.0 91.0 110.0	15.28 25.28 30.56	28 27 25.7	71	1450	11.0	3.0	213	260	610	850	142	254	600	254	4-φ18	φ220	φ180	8-φ18	JG2-2
100-315(I)B	47 79.0 95	13.06 21.94 26.39	25 20 19	70	1450	7.5	3.0	165	230	580	770	142	254	500	216					

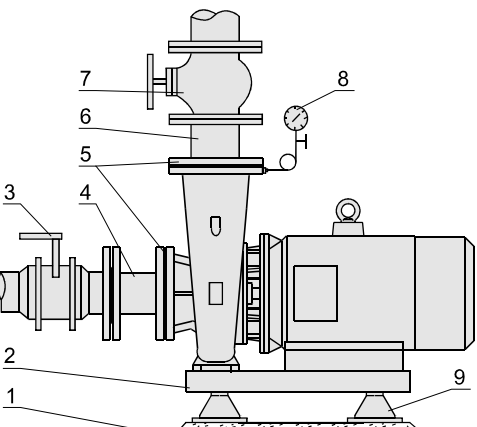
Installation Method

1. Rigid Connection

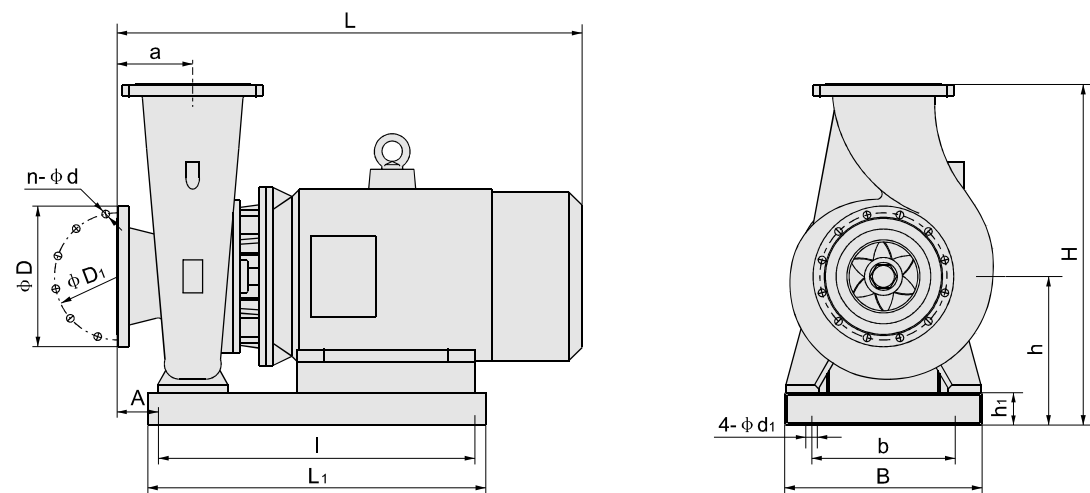


Accessories		
Serial Number	Number	Serial Number
1	Concrete Base	1
2	Base	2
3	Inlet Valve	3
4	Straight Pipe Section	4
5	Flange	5
6	Straight Pipe Section	6
7	Outlet Valve	7
8	Pressure Gauge	8
9	Shock Absorber	9

2. Flexible Connection

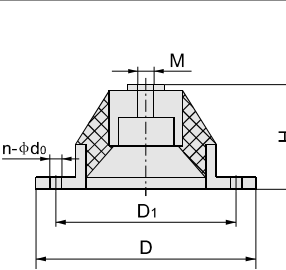


Shape of Pump

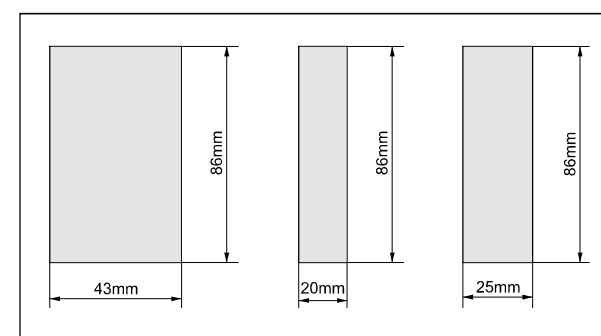


Installation dimensions of JG type vibration isolator

Model Number	M	D	D ₁	H	D ₀	n
JG1-1	10	100	80	43	8.5	4
JG1-2	10	100	80	43	8.5	4
JG2-1	12	150	130	65	8.5	4
JG2-2	12	150	130	65	8.5	4
JG3-1	16	200	170	87	12.5	4
JG3-2	16	200	170	87	12.5	4
JG4-1	20	290	260	133	12.5	4
JG4-2	20	290	260	133	12.5	4



Dimensions of the SD type vibration isolation pad



Installation Instruction

- Before installation, it is necessary to check whether the fasteners of the unit are loose and whether there are any foreign matter blocking the flow passage of the pump body to prevent damage to the impeller and pump body during operation.
- When installing, the weight of the pipes should not be placed on the water pump to avoid deforming the pump.
- When installing, the anchor bolts must be tightened to avoid the influence of vibration on the pump performance during startup.
- For the convenience of maintenance and safety of use, a regulating valve is installed on each of the inlet and outlet pipelines of the pump, and a pressure gauge is installed near the pump outlet to ensure that the pump operates within the rated head and flow range, guaranteeing its normal operation and extending its service life.
- Toggle the pump shaft after installation, the impeller should have no friction sound or jamming phenomenon occurs. Otherwise, the pump should be disassembled to check the cause.
- The installation methods of the pump are divided into rigid connection installation and flexible connection installation (reference connection methods).

Start and Stop

A. Preparation Before Start

- When turning the motor blades by hand, the impeller should rotate flexibly, without jamming phenomenon.
- Open the inlet valve and the exhaust valve to fill the entire pump chamber with liquid, and then close the exhaust valve.
- Rotate the pump by hand to allow the lubricating oil to enter the mechanical seal end face.
- Jog the motor to confirm whether the rotation direction is correct.

B. Startup and Operation

- Fully open the inlet valve and close the outlet pipeline valve.
- Connect the power supply. When the pump reaches its normal speed, gradually open the valve on the discharge pipe and adjust it to the required working condition.
- Pay close attention to the readings on the instruments, and check the leakage at the shaft seal. In normal circumstances, the leakage of the mechanical seal should be less than 3 drops per minute. Check that the temperature rise at the motor and bearing locations is less than 70°C. If an abnormality is detected, deal with it promptly.

C. Stop

- Gradually close the valve of the discharge pipeline and cut off the power supply.
- Close the inlet valve.
- If the ambient temperature is below 0°C, the liquid in the pump should be drained completely to prevent the pump from cracking due to freezing.
- If the pump is to be out of use for a long time, it should be disassembled, cleaned, packaged and stored properly.

Maintenance of Pump

A. During Operation

- The inlet pipe must be fully filled with liquid. It is prohibited for the pump to operate in a cavitation state for a long time.
- Regularly check the motor current value, which must not exceed the rated current of the motor.
- After long-term operation of the pump, if the noise and vibration of the unit increase due to mechanical wear, the unit should be shut down for inspection. If necessary, replace the vulnerable parts.

B. Maintenance of Mechanical Seal

- The lubrication for mechanical seals should be clean and free of solid particles.
- It is strictly prohibited for mechanical seals to operate under dry grinding conditions.
- Before starting, the pump (motor) should be turned by hand a few times to prevent the sudden start from causing the graphite ring to break and get damaged.
- The allowable leakage for sealing is 3 drops per minute. Otherwise it should be serviced.